

OPERATOR'S MANUAL



Model 142 Soft Serve Freezer

Original Operating Instructions

039709- M

3/00 (Original Publication)
(Updated 7/18/14)

Complete this page for quick reference when service is required:

Taylor Distributor: _____

Address: _____

Phone: _____

Service: _____

Parts: _____

Date of Installation: _____

Information found on the data label:

Model Number: _____

Serial Number: _____

Electrical Specs: Voltage _____ Cycle _____

Phase _____

Maximum Fuse Size: _____ A

Minimum Wire Ampacity: _____ A

© 2000 Carrier Commercial Refrigeration, Inc.
039709- M

Any unauthorized reproduction, disclosure, or distribution of copies by any person of any portion of this work may be a violation of Copyright Law of the United States of America and other countries, could result in the awarding of Statutory Damages of up to \$250,000 (17 USC 504) for infringement, and may result in further civil and criminal penalties. All rights reserved.



Taylor Company
a division of Carrier Commercial Refrigeration, Inc.
750 N. Blackhawk Blvd.
Rockton, IL 61072

Table of Contents

Section 1	To the Installer	1
	Installer Safety	1
	Site Preparation	1
	Air Cooled Units	1
	Electrical Connections	2
	Electrical Hook-up Installation For 60 Cycle, 1 PH, Supplied With Cord and Plug	3
	Refrigerant	3
Section 2	To the Operator	4
Section 3	Safety	5
Section 4	Operator Parts Identification	7
Section 5	Important: To the Operator	8
	Symbol Definitions	8
	Power Switch	8
	Indicator Light - MIX LOW	8
	Standby Switch	9
	Reset Mechanism	9
	Temperature Adjustments	9
	Feed Tube	9
Section 6	Operating Procedures	10
	Assembly	10
	Sanitizing	13
	Priming	15
	Standby	16
	Closing Procedure	16
	Draining Product From the Freezing Cylinder	17
	Rinsing	17

Cleaning	17
Disassembly	17
Brush Cleaning	18
Section 7 Important: Operator Checklist	19
During Cleaning and Sanitizing:	19
Troubleshooting Bacterial Count:	19
Regular Maintenance Checks:	19
Winter Storage	20
Section 8 Troubleshooting Guide	21
Section 9 Parts Replacement Schedule	23
Section 10 Limited Warranty on Equipment	24
Section 11 Limited Warranty on Parts	26
Section 12 Parts List	29
Wiring Diagram	37

Note: Continuing research results in steady improvements; therefore, information in this manual is subject to change without notice.

Note: Only instructions originating from the factory or its authorized translation representative(s) are considered to be the original set of instructions.

© 2000 Carrier Commercial Refrigeration, Inc. (Original Publication)
(Updated July, 2014)
039709- M

Any unauthorized reproduction, disclosure, or distribution of copies by any person of any portion of this work may be a violation of Copyright Law of the United States of America and other countries, could result in the awarding of Statutory Damages of up to \$250,000 (17 USC 504) for infringement, and may result in further civil and criminal penalties. All rights reserved.



Taylor Company
a division of Carrier Commercial Refrigeration, Inc.
750 N. Blackhawk Blvd.
Rockton, IL 61072

Section 1

To the Installer

The following information has been included in the manual as safety and regulatory guidelines. For complete installation instructions, please see the Installation Checklist.

Installer Safety



In all areas of the world, equipment should be installed in accordance with existing local codes. Please contact your local authorities if you have any questions.

Care should be taken to ensure that all basic safety practices are followed during the installation and servicing activities related to the installation and service of Taylor equipment.

- Only authorized Taylor service personnel should perform installation and repairs on the equipment.
- Authorized service personnel should consult OSHA Standard 29CFR1910.147 or the applicable code of the local area for the industry standards on lockout/tagout procedures before beginning any installation or repairs.
- Authorized service personnel must ensure that the proper PPE is available and worn when required during installation and service.
- Authorized service personnel must remove all metal jewelry, rings, and watches before working on electrical equipment.



The main power supply(s) to the freezer must be disconnected prior to performing any repairs. Failure to follow this instruction may result in personal injury or death from electrical shock or hazardous moving parts as well as poor performance or damage to the equipment.

Note: All repairs must be performed by an authorized Taylor Service Technician.



This unit has many sharp edges that can cause severe injuries.

Site Preparation

Review the area where the unit will be installed before uncrating the unit. Make sure all possible hazards to the user or the equipment have been addressed.

For Indoor Use Only: This unit is designed to operate indoors, under normal ambient temperatures of 70°-75°F (21°-24°C). The freezer has successfully performed in high ambient temperatures of 104° (40°C) at reduced capacities.



This unit must **NOT** be installed in an area where a water jet or hose can be used. **NEVER** use a water jet or hose to rinse or clean the unit. Failure to follow this instruction may result in electrocution.



This unit must be installed on a level surface to avoid the hazard of tipping. Extreme care should be taken in moving this equipment for any reason. Two or more persons are required to safely move this unit. Failure to comply may result in personal injury or equipment damage.

Uncrate the unit and inspect it for damage. Report any damage to your Taylor Distributor.

This piece of equipment is made in the USA and has USA sizes of hardware. All metric conversions are approximate and vary in size.

Air Cooled Units

DO NOT obstruct air intake and discharge openings:

Air cooled units require a minimum of 6" (152 mm) of clearance on both sides and 4" (102 mm) of clearance on the bottom of the freezer. To prevent warm exhaust from recirculating, place the rear of the unit against the wall. This will allow adequate air flow across the condenser.

Electrical Connections

In the United States, this equipment is intended to be installed in accordance with the National Electrical Code (NEC), ANSI/NFPA 70-1987. The purpose of the NEC code is the practical safeguarding of persons and property from hazards arising from the use of electricity. This code contains provisions considered necessary for safety. In all other areas of the world, equipment should be installed in accordance with the existing local codes. Please contact your local authorities.



FOLLOW YOUR LOCAL ELECTRICAL CODES!

Each unit requires one power supply for each data label on the unit. Check the data label(s) on the freezer for branch circuit overcurrent protection or fuse, circuit ampacity, and other electrical specifications. Refer to the wiring diagram provided inside of the electrical box for proper power connections.



CAUTION: THIS EQUIPMENT MUST BE PROPERLY GROUNDED! FAILURE TO DO SO CAN RESULT IN SEVERE PERSONAL INJURY FROM ELECTRICAL SHOCK!



This unit is provided with an equipotential grounding lug that is to be properly attached to the rear of the frame by the authorized installer. The installation location is marked by the equipotential bonding symbol (5021 of IEC 60417-1) on both the removable panel and the equipment's frame.



- Stationary appliances which are not equipped with a power cord and a plug or another device to disconnect the appliance from the power source must have an all-pole disconnecting device with a contact gap of at least 3 mm installed in the external installation.
- Appliances that are permanently connected to fixed wiring and for which leakage currents may exceed 10 mA, particularly when disconnected, not used for long periods, or during initial installation, shall have protective devices such as a GFI to protect against the leakage of current, installed by authorized personnel to the local codes.
- Supply cords used with this unit shall be oil-resistant, sheathed flexible cable, not lighter than ordinary polychloroprene or other equivalent synthetic elastomer-sheathed cord (Code designation 60245 IEC 57) installed with the proper cord anchorage to relieve conductors from strain, including twisting, at the terminals and protect the insulation of the conductors from abrasion.

If the supply cord is damaged, it must be replaced by the manufacturer, its service agent, or similarly qualified person, in order to avoid a hazard.

Electrical Hook-up Installation

For 60 Cycle, 1 PH, Supplied With Cord and Plug

This equipment is supplied with a 3-wire cord and grounding type plug for connection to a single phase, 60 cycle, branch circuit supply. This unit must be plugged into a properly grounded receptacle. The cord and plug provided for 115/60/1 and 208- 230/60/1 is 15 amp.; therefore the wall outlet must also be 15 amp. Check the data label located on the rear of the freezer for electrical specifications.

IMPORTANT: In order to secure the compressor and to minimize vibration during shipment, two shipping bolts have been added to the base pan of the unit. Before installation, these bolts must be removed.

Permanent wiring may be used if local codes require it. Instructions for conversion to permanent wiring are as follows:



IMPORTANT: This procedure must be performed by a qualified electrician.

1. Be sure the freezer is electrically disconnected.
2. Remove the appropriate panel and locate the control box at the back of the freezer.
3. Remove the factory- installed cord and strain relief bushing.
4. Route incoming permanent wiring through 7/8" (22 mm) hole in base pan.
5. Connect two power supply leads, attach ground (earth) wire to the grounding lug inside the electrical box.
6. Be sure unit is properly grounded before applying power.



FOLLOW YOUR LOCAL ELECTRICAL CODES!

Refrigerant



In consideration of our environment, Taylor uses only earth friendly HFC refrigerants. The HFC refrigerant used in this unit is R404A. This refrigerant is generally considered non-toxic and non-flammable, with an Ozone Depleting Potential (ODP) of zero (0).

However, any gas under pressure is potentially hazardous and must be handled with caution. NEVER fill any refrigerant cylinder completely with liquid. Filling the cylinder to approximately 80% will allow for normal expansion.



Use only R404A refrigerant that conforms to the AHRI standard 700 specification. The use of any other refrigerant may expose users and operators to unexpected safety hazards.



Refrigerant liquid sprayed onto the skin may cause serious damage to tissue. Keep eyes and skin protected. If refrigerant burns should occur, flush immediately with cold water. If burns are severe, apply ice packs and contact a physician immediately.



Taylor reminds technicians to be cautious of government laws regarding refrigerant recovery, recycling, and reclaiming systems. If you have any questions regarding these laws, please contact the factory Service Department.



WARNING: R404A refrigerant used in conjunction with polyolester oils is extremely moisture absorbent. When opening a refrigeration system, the maximum time the system is open must not exceed 15 minutes. Cap all open tubing to prevent humid air or water from being absorbed by the oil.

Section 2

To the Operator

Your freezer has been carefully engineered and manufactured to give you dependable operation. If the Taylor Model 142 is properly operated and cared for, it will produce a consistent, quality product. Like all mechanical products, this machine will require cleaning and maintenance. A minimum amount of care is necessary if the operating procedures outlined in this manual are followed closely.



This Operator's Manual should be read before operating or performing any maintenance on your equipment.

Your Taylor freezer will NOT eventually compensate and correct for any errors during the set-up or filling operations. Thus, the initial assembly and priming procedures are of extreme importance. It is important that the personnel responsible for the equipment's operation study this manual in order to be properly trained.

In the event you should require technical assistance, please contact your local authorized Taylor Distributor.

Note: Your Taylor warranty is valid only if the parts are authorized Taylor parts, purchased from the local authorized Taylor Distributor, and only if all required service work is provided by an authorized Taylor service technician. Taylor reserves the right to deny warranty claims on units or parts if non-Taylor approved parts or incorrect refrigerant were installed in the unit, system modifications were performed beyond factory recommendations, or it is determined that the failure was caused by abuse, misuse, neglect, or failure to follow all operating instructions. For full details of your Taylor Warranty, please see the Limited Warranty section in this manual.

Note: Constant research results in steady improvements; therefore, information in this manual is subject to change without notice.



If the crossed out wheeled bin symbol is affixed to this product, it signifies that this product is compliant with the EU Directive as well as other similar legislation in effect after August 13, 2005. Therefore, it must be collected separately after its use is completed, and cannot be disposed as unsorted

municipal waste. The user is responsible for returning the product to the appropriate collection facility, as specified by your local code.

For additional information regarding applicable local laws, please contact the municipal facility and/or local distributor.

Compressor Warranty Disclaimer

The refrigeration compressor(s) on this unit are warranted for the term stated in the Limited Warranty section in this manual. However, due to the Montreal Protocol and the U.S. Clean Air Act Amendments of 1990, many new refrigerants are being tested and developed, thus seeking their way into the service industry. Some of these new refrigerants are being advertised as drop-in replacements for numerous applications. It should be noted that in the event of ordinary service to this unit's refrigeration system, **only the refrigerant specified on the affixed data label should be used.** The unauthorized use of alternate refrigerants will void your Taylor compressor warranty. It is the unit owner's responsibility to make this fact known to any technician he employs.

It should also be noted that Taylor does not warrant the refrigerant used in its equipment. For example, if the refrigerant is lost during the course of ordinary service to this machine, Taylor has no obligation to either supply or provide its replacement either at billable or unbillable terms. Taylor does have the obligation to recommend a suitable replacement if the original refrigerant is banned, obsoleted, or no longer available during the five year warranty of the compressor.

Taylor will continue to monitor the industry and test new alternates as they are being developed. Should a new alternate prove, through our testing, that it would be accepted as a drop-in replacement, then the above disclaimer would become null and void. To find out the current status of an alternate refrigerant as it relates to your compressor warranty, call the local Taylor Distributor or the Taylor Factory. Be prepared to provide the Model/Serial Number of the unit in question.

We, at Taylor Company, are concerned about the safety of the operator when he or she comes in contact with the freezer and its parts. Taylor has gone to extreme efforts to design and manufacture built-in safety features to protect both you and the service technician. As an example, warning labels have been attached to the freezer to further point out safety precautions to the operator.



IMPORTANT - Failure to adhere to the following safety precautions may result in severe personal injury or death. Failure to comply with these warnings may damage the machine and its components. Component damage will result in part replacement expense and service repair expense.



DO NOT operate the freezer without reading this Operator Manual. Failure to follow this instruction may result in equipment damage, poor freezer performance, health hazards, or personal injury.



This appliance is to be used only by trained personnel. It is not intended for use by children or people with reduced physical, sensory, or mental capabilities, or lack of experience and knowledge, unless given supervision or instruction concerning the use of the appliance by a person responsible for their safety. Children should be supervised to ensure that they do not play with the appliance.



This unit is provided with an equipotential grounding lug that is to be properly attached to the rear of the frame by the authorized installer. The installation location is marked by the equipotential bonding symbol (5021 of IEC 60417-1) on both the removable panel and the equipment's frame.



DO NOT use a water jet to clean or rinse the freezer. Failure to follow these instructions may result in serious electrical shock.



- **DO NOT** operate the freezer unless it is properly grounded.
- **DO NOT** operate the freezer with larger fuses than specified on the freezer data label.
- All repairs must be performed by an authorized Taylor service technician.
- The main power supplies to the machine must be disconnected prior to performing any repairs.
- For Cord Connected Units: Only Taylor authorized service technicians or licensed electricians may install a plug or replacement cord on these units.
- Stationary appliances which are not equipped with a power cord and a plug or another device to disconnect the appliance from the power source must have an all-pole disconnecting device with a contact gap of at least 3 mm installed in the external installation.
- Appliances that are permanently connected to fixed wiring and for which leakage currents may exceed 10 mA, particularly when disconnected, not used for long periods, or during initial installation, shall have protective devices such as a GFI to protect against the leakage of current, installed by authorized personnel to the local codes.
- Supply cords used with this unit shall be oil-resistant, sheathed flexible cable, not lighter than ordinary polychloroprene or other equivalent synthetic elastomer-sheathed cord (Code designation 60245 IEC 57) installed with the proper cord anchorage to relieve conductors from strain, including twisting, at the terminals and protect the insulation of the conductors from abrasion.

If the supply cord is damaged, it must be replaced by the manufacturer, its service agent, or similarly qualified person, in order to avoid a hazard.

Failure to follow these instructions may result in electrocution. Contact your local authorized Taylor Distributor for service.



- **DO NOT** allow untrained personnel to operate this machine.
- **DO NOT** operate the freezer unless all service panels and access doors are restrained with screws.
- **DO NOT** remove any internal operating parts (examples: freezer door, beater, scraper blades, etc.) unless all control switches are in the OFF position.

Failure to follow these instructions may result in severe personal injury to fingers or hands from hazardous moving parts.



This unit has many sharp edges that can cause severe injuries.

- **DO NOT** put objects or fingers in the door spout. This may contaminate the product and cause severe personal injury from blade contact.
- **USE EXTREME CAUTION** when removing the beater assembly. The scraper blades are very sharp.



This unit must be placed on a level surface. Failure to comply may result in personal injury or equipment damage.



Access to the service area of the unit is restricted to persons having knowledge and practical experience with the appliance, in particular as far as safety and hygiene are concerned.



Cleaning and sanitizing schedules are governed by your state or local regulatory agencies and must be followed accordingly. Please refer to the cleaning section of this manual for the proper procedure to clean this unit.



This unit is designed to maintain product temperature under 41°F (5°C). Any product being added to this machine must be below 41°F (5°C). Failure to follow this instruction may result in health hazards and poor freezer performance.

DO NOT obstruct air intake and discharge openings:

6" (152 mm) minimum air space on sides and rear, and 4" (102 mm) minimum on bottom. Failure to follow this instruction may cause poor freezer performance and damage to the machine.

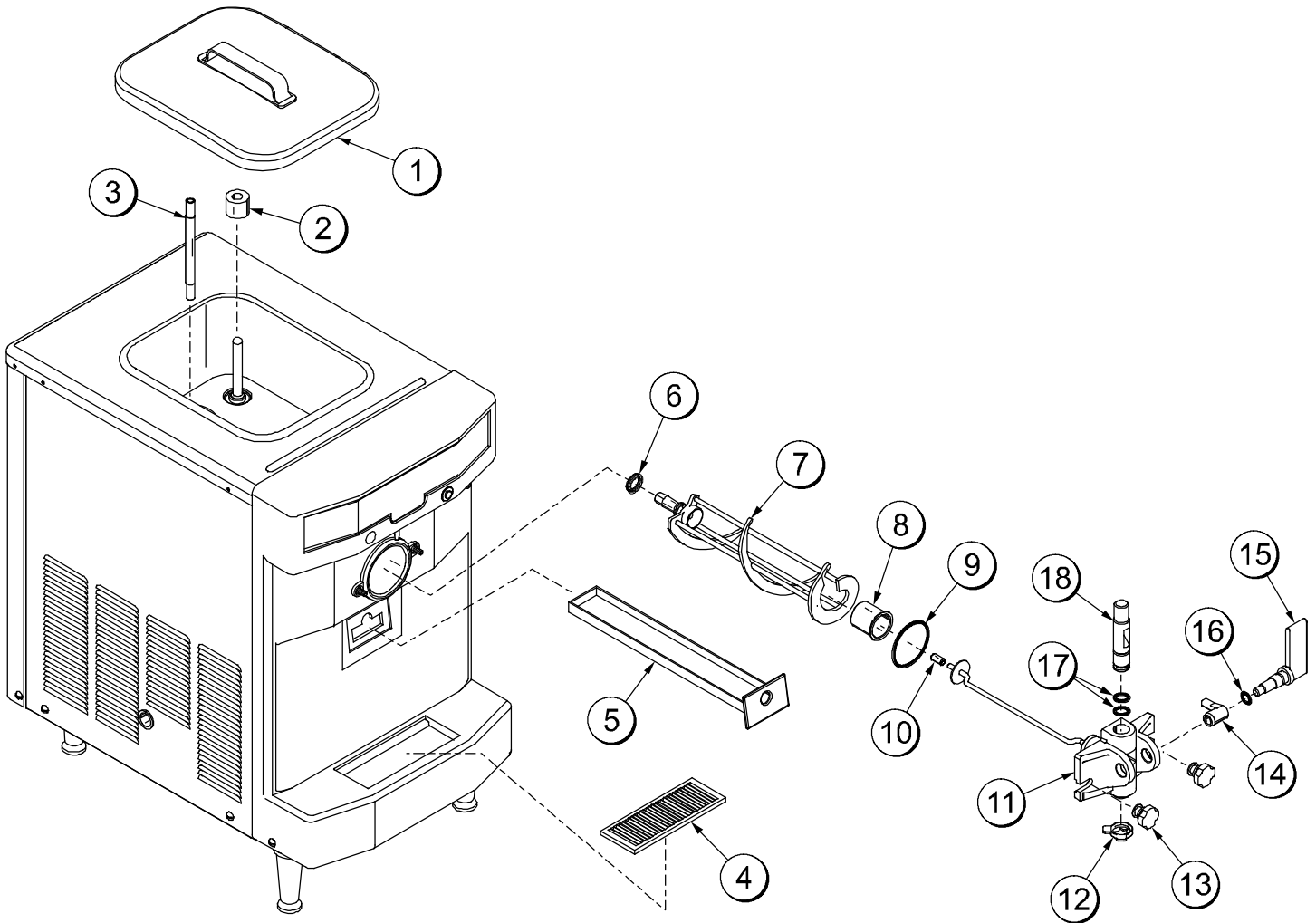
For Indoor Use Only: This unit is designed to operate indoors, under normal ambient temperatures of 70° - 75°F (21° - 24°C). The freezer has successfully performed in high ambient temperatures of 104°F (40°C) at reduced capacities.

DO NOT run the unit without product. Failure to follow this instruction can result in damage to the unit.

NOISE LEVEL: Airborne noise emission does not exceed 78 dB(A) when measured at a distance of 1.0 meter from the surface of the machine and at a height of 1.6 meters from the floor.

Section 4

Operator Parts Identification



ITEM	DESCRIPTION	PART NO.
1	COVER A.- HOPPER	X49633
2	FLOAT A.- MIX LEVEL	X39690
3	TUBE- FEED- .166 HOLE- SS	035819
4	SHIELD- SPLASH- PLASTIC	039444
5	PAN A.- WHITE FRONT DRIP	X43474
6	SEAL- U- CUP	080534
7	BEATER A.	X24689
8	BEARING- FRONT	023262
9	O- RING- 2- 3/4 OD X .139W	019998

ITEM	DESCRIPTION	PART NO.
10	BEARING- GUIDE	014496
11	DOOR A.- PARTIAL- 1 SPOUT	X38959- SER
12	CAP- DESIGN 1.010"ID- 6 PT	014218
13	NUT- STUD	034829
14	ARM- VALVE LIFTER	024761
15	HANDLE- DRAW	024762
16	O- RING- 3/4 OD X .103W	015835
17	O- RING- 7/8 OD X .103W	014402
18	VALVE- DRAW	024763

Section 5

Important: To the Operator

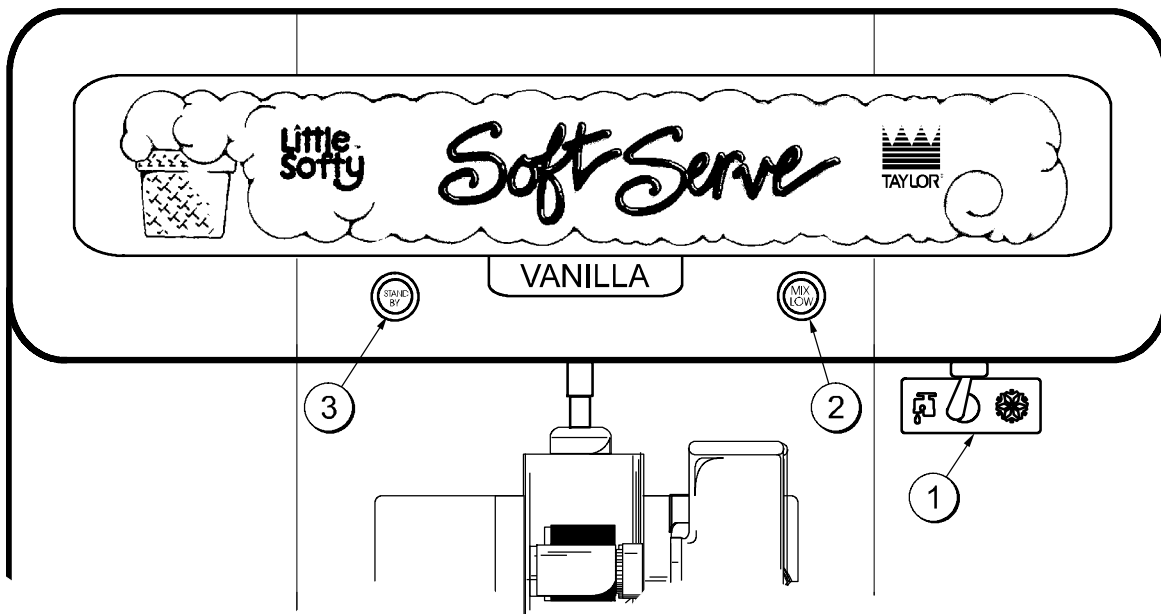





Figure 1

ITEM	DESCRIPTION
1	Power Switch
2	Indicator Light - MIX LOW
3	Standby Switch

Symbol Definitions

To better communicate in the International arena, the words on many of our operator switches and buttons have symbols to indicate their functions. Your Taylor equipment is designed with these International symbols.

The following chart identifies the symbol definitions used on the operator switches.

-  = ON/AUTO
-  = OFF
-  = WASH

Power Switch

The center position is the OFF position. The left position is WASH which activates the beater motor only. The right position is the AUTO position, which activates the beater motor and the refrigeration.

Indicator Light - MIX LOW

A mix level indicating light is located on the front of the machine. When the light is on, it indicates that the mix hopper has a low supply of mix. The hopper should be refilled immediately. Always maintain at least 2" (5.1 cm.) of mix in the hopper. If mix is not added to the hopper, the freezing cylinder may freeze. This will cause damage to the beater assembly and to the freezer door.

Standby Switch

This push button switch determines which mode of operation the freezing cylinder is operating in. If the center button of this switch is in the “OUT” position and it is not illuminated, the unit will operate in the normal product dispensing mode when the toggle switch is placed in the AUTO position.

If the center button of the standby switch is in the “IN” position and is illuminated, the machine will operate in the STANDBY mode when the toggle switch is placed in the AUTO position.

Reset Mechanism

Should an overload condition occur, the freezer will automatically shut down. To properly reset the freezer, place the toggle switch in the OFF position. Wait two or three minutes; then press the reset button located in the side panel. Place the toggle switch in the WASH position and observe the freezer’s performance; return the toggle switch to the AUTO position.

Temperature Adjustments

Temperature adjustments should be performed only by an authorized Taylor Service Representative.

Feed Tube

The feed tube meters a combination of mix and air into the freezing cylinder. If mix is not added to the hopper, the freezing cylinder may freeze. This will cause damage to the beater assembly and to the freezer door. Depending upon the product being run, you may wish to contact your local authorized Taylor Distributor to make a slight adjustment in the feed tube.

One end of the feed tube has a metering hole in the side and the other end does not.

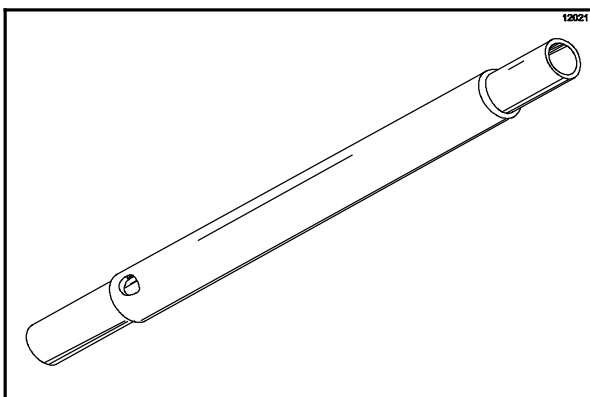


Figure 2

When the unit is operating in the AUTO mode, the metering hole should be placed in the downward position.

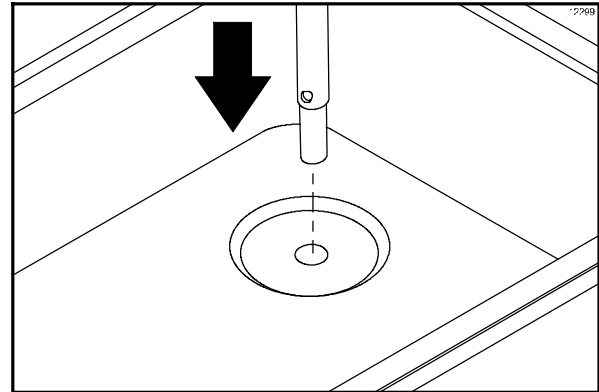


Figure 3

When the unit is placed in the STANDBY mode, the feed tube is inverted so the end without the metering hole is placed in the downward position.

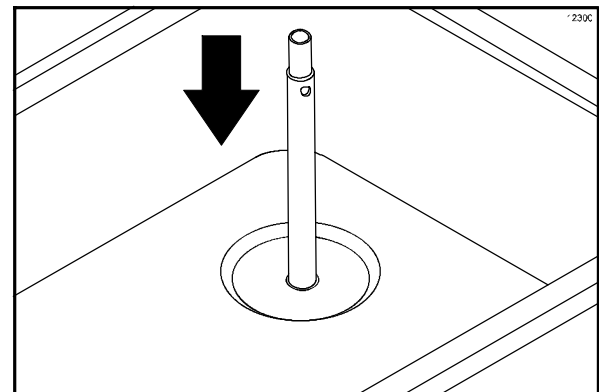


Figure 4

Note: Make sure the level of mix is below the metering hole in the side of the feed tube. Failure to follow this instruction may result in lower product quality when normal operation is resumed.

Section 6

Operating Procedures

The Model 142 has a 1.5 quart (1.4 liter) capacity freezing cylinder. The mix flows from the hopper to the freezing cylinder through a feed tube. The mix flow is controlled by gravity.

We begin our instructions at the point where we enter the store in the morning and find the parts disassembled and laid out to air dry from the previous night's cleaning.

These opening procedures will show you how to assemble these parts into the freezer, sanitize them and prime the freezer with fresh mix in preparation to serve your first portion.

If you are disassembling the machine for the first time or need information to get to the starting point in our instructions, turn to page 17 "Disassembly", and start there.

Assembly

Note: Use an approved food grade lubricant (example: Taylor Lube) when lubricating parts.

Step 1

Lubricate the groove on the beater drive shaft. With the opening of the cup seal facing away from the hex end, slide the seal into the groove. Apply an even coat of lubricant to the seal and the shaft. **Do not lubricate the hex end of the beater drive shaft.**

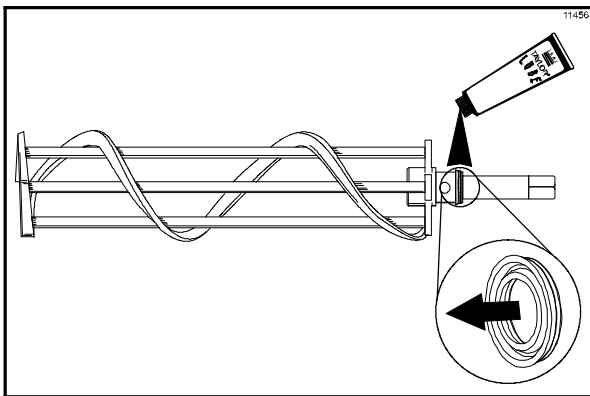


Figure 5

Step 2

Insert the beater assembly and allow the drive shaft to travel through the rear shell bearing at the back of the freezing cylinder, and engage the hex end of the drive shaft firmly into the female socket. When installed properly, the beater will not protrude beyond the front of the freezing cylinder.

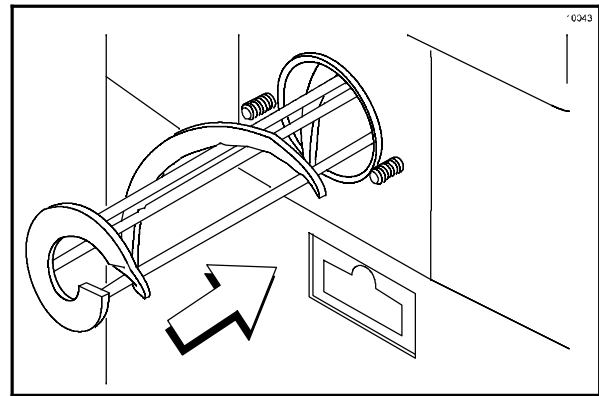


Figure 6

Step 3

Place the large o-ring into the groove on the back of the freezer door and lubricate with Taylor Lube.

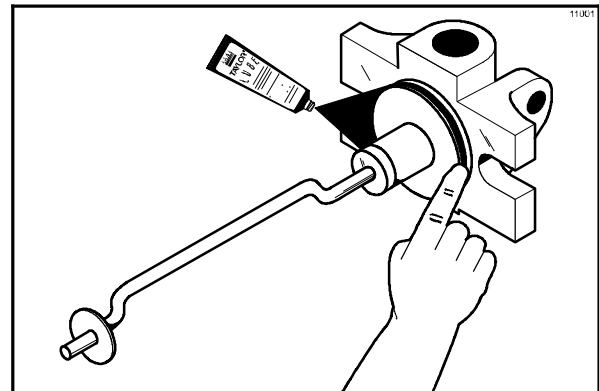


Figure 7

Step 4

Slide the front bearing over the baffle rod so the flanged edge is against the door. Place the white plastic guide bearing on the end of the baffle rod. **Do not lubricate the front bearing or guide bearing.**

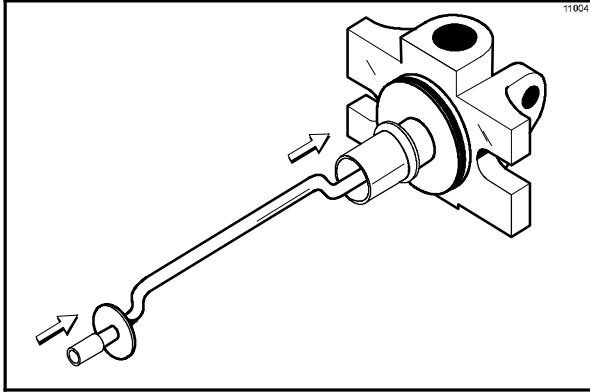


Figure 8

Step 5

Insert the handscrews into the slots in the freezer door. With both hands holding the sides of the freezer door, insert the baffle rod into the center of the beater assembly. The white guide bearing must fit securely in the hole of the drive shaft.

Step 6

Finger-tighten the handscrews, making sure they are tightened equally and that the door is snug. Do not over-tighten the handscrews.

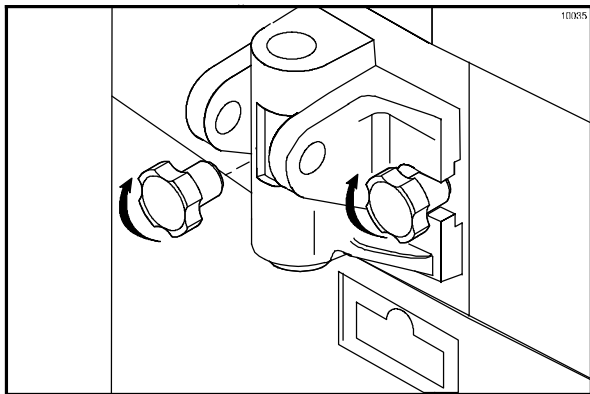


Figure 9

IMPORTANT! Handscrew and door damage can result if the handscrews are over-tightened or if one handscrew is tightened more than the other.

Step 7

Install the draw valve. Slide the two o-rings into the grooves on the draw valve and lubricate with Taylor Lube.

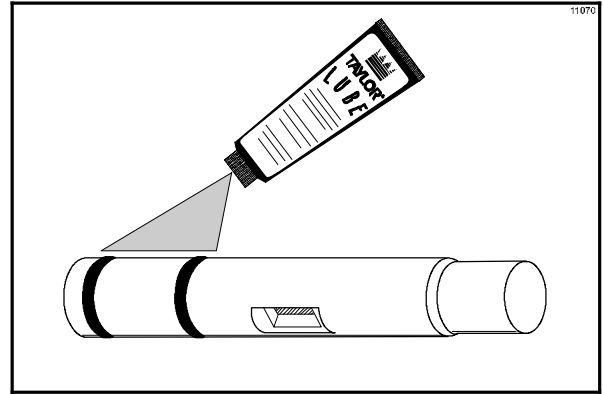


Figure 10

Lubricate the inside of the door spout from the **bottom**. Insert the draw valve into the freezer door from the **bottom**.

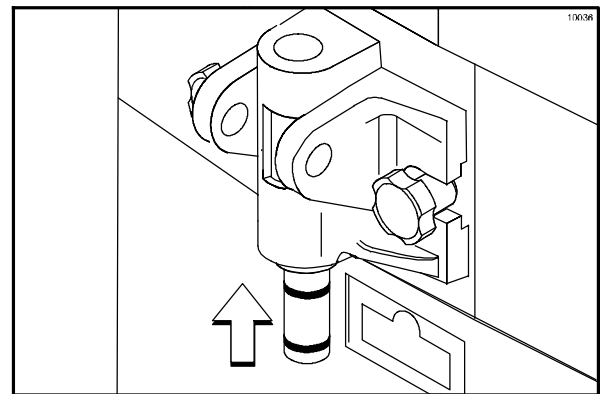


Figure 11

Note: The draw valve is installed correctly when the slotted opening in the draw valve is visible through the “window” of the freezer door.

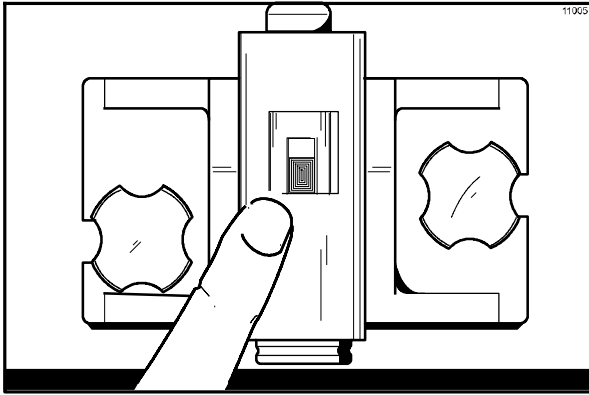


Figure 12

Step 8

Install the draw valve handle. Insert the valve lifter arm through the slotted opening in the draw valve and align the other end with the cross holes of the freezer door. **Note:** The valve lifter arm may be aligned with the left or the right cross hole. The draw valve handle will be placed through the opposite cross hole of the valve lifter arm.

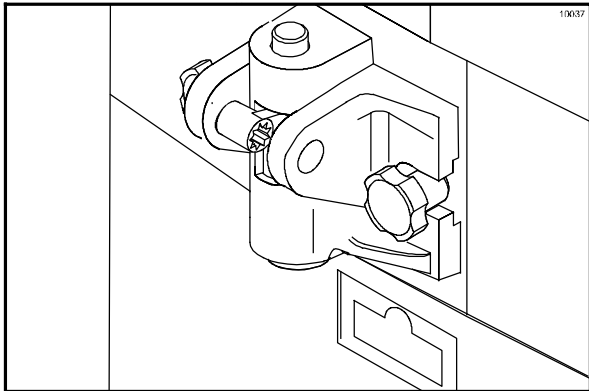


Figure 13

Slide the o-ring into the groove on the draw valve handle and lubricate with Taylor Lube.

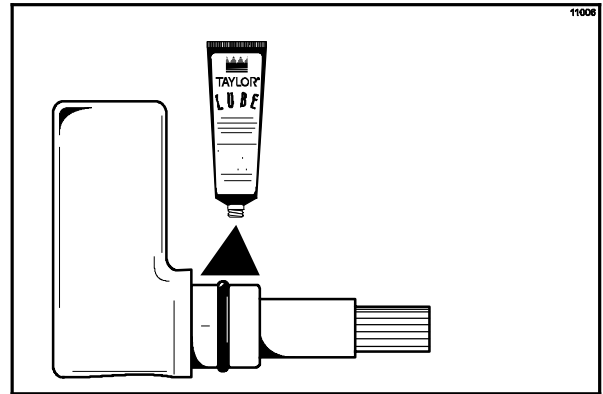


Figure 14

Insert the draw valve handle through the opposite cross hole and into the opening of the valve lifter arm.

Note: The draw valve handle can be assembled at varied vertical positions. Choose an angle which is comfortable for you, making sure the draw valve is completely raised when the draw valve handle is completely down.

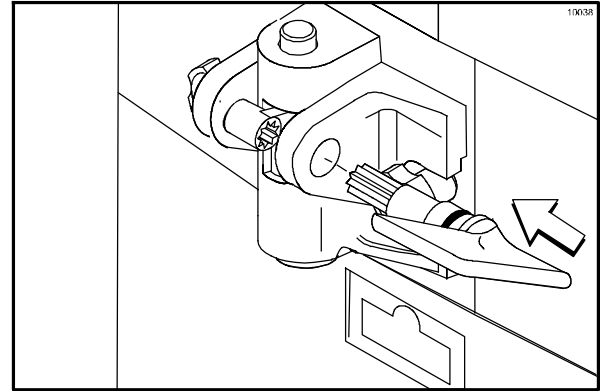


Figure 15

The illustration below shows the draw valve assembled on the left side.

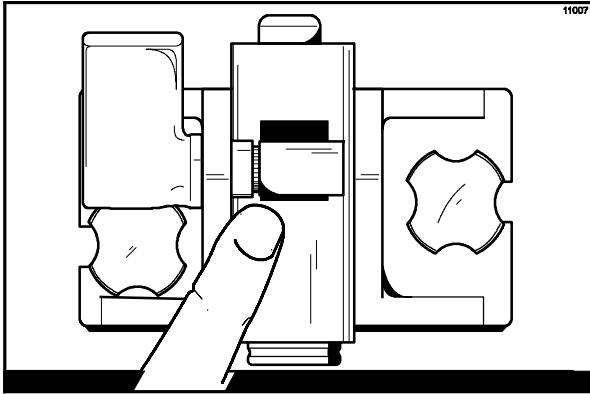


Figure 16

Step 9
Snap the design cap over the bottom of the freezer door spout.

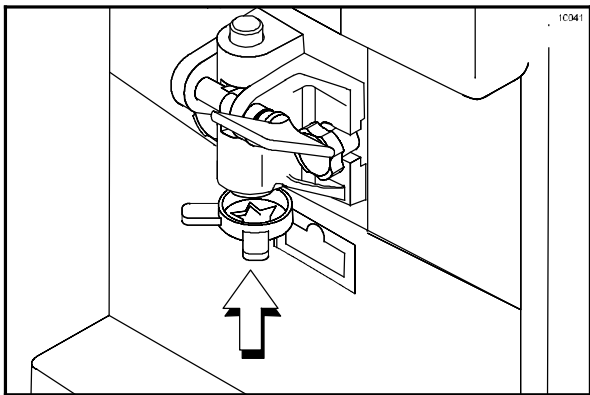


Figure 17

Step 10
Lay the feed tube and mix level float in the bottom of the mix hopper.

Sanitizing

Step 1

Prepare a pail of an approved 100 PPM sanitizing solution (examples: 2- 1/2 gal. [9.5 liters] of Kay-5® or 2 gal. [7.6 liters] of Stera-Sheen®). USE WARM WATER AND FOLLOW THE MANUFACTURER'S SPECIFICATIONS.

Step 2

Pour the sanitizing solution into the hopper and allow it to flow into the freezing cylinder.

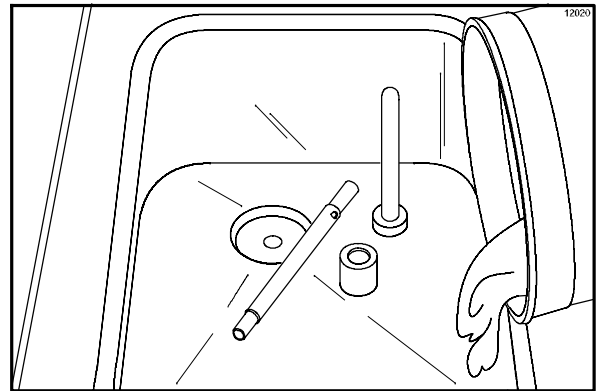


Figure 18

Step 3

While the solution is flowing into the freezing cylinder, brush-clean the mix hopper, mix level float stem, mix level float, mix inlet hole, and air tube.

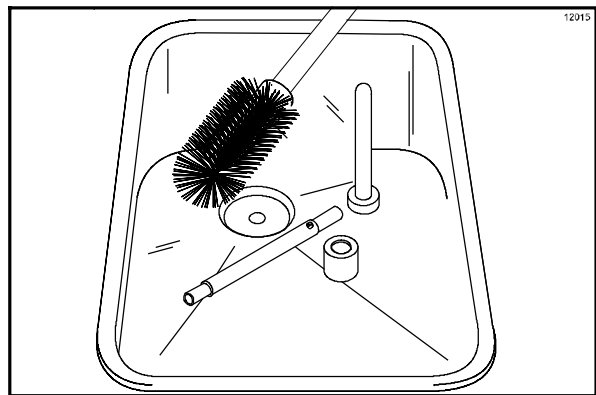


Figure 19

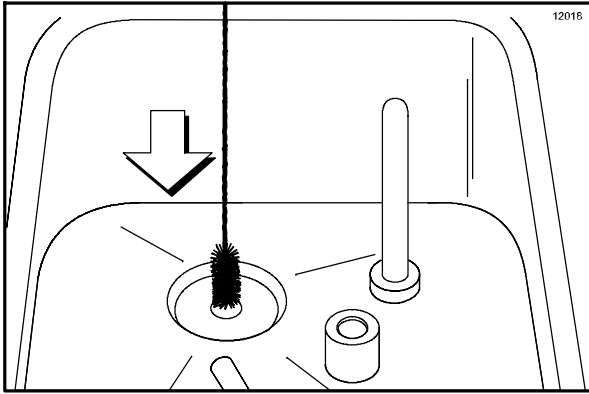


Figure 20

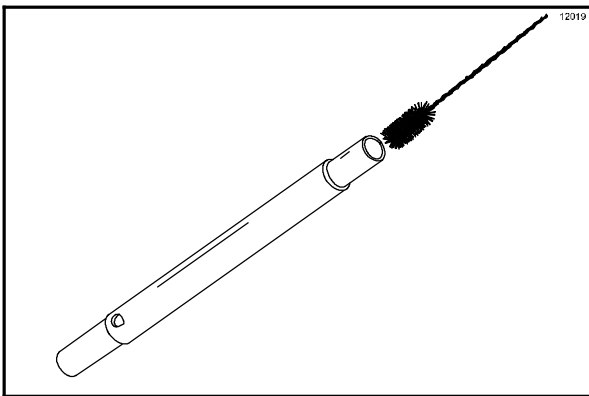


Figure 21

Step 4

Place the toggle switch in the WASH position. This will cause the sanitizing solution in the freezing cylinder to be agitated. Allow to agitate for five minutes.

Step 5

Place an empty pail beneath the door spout and open the draw valve. Draw off all the sanitizing solution. When the sanitizer stops flowing from the door spout, close the draw valve and place the toggle switch in the OFF position.

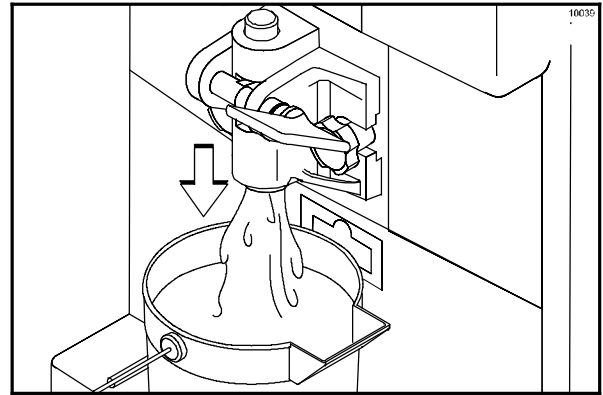


Figure 22

Step 6

Remove the feed tube from the hopper. (Be sure your hands are sanitized.)

Step 7

Place the mix level float on the mix level float stem.

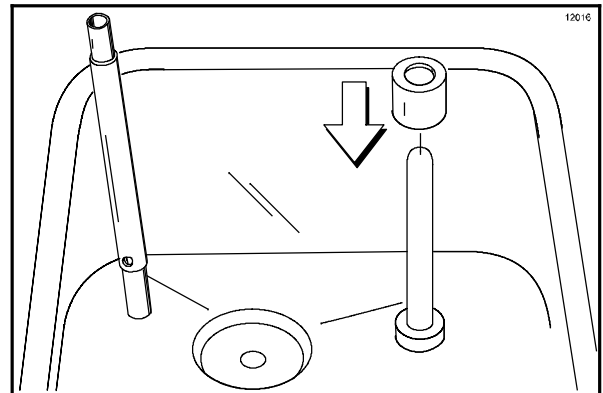


Figure 23

Priming

Prime the machine as close as possible to the time of first product draw.

Step 1

With a pail beneath the door spout, open the draw valve. Fill the mix hopper with FRESH mix and allow it to flow into the freezing cylinder. This will force out any remaining sanitizing solution. When full strength mix is flowing from the door spout, close the draw valve.

Note: Use only fresh mix when priming the freezer.

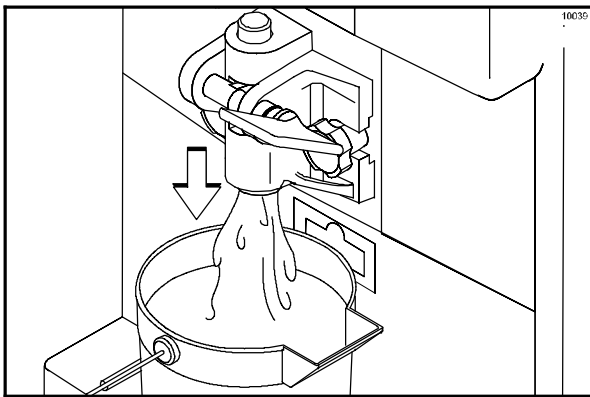


Figure 24

Step 2

When the mix has stopped bubbling down into the freezing cylinder, install the feed tube in the mix inlet hole.

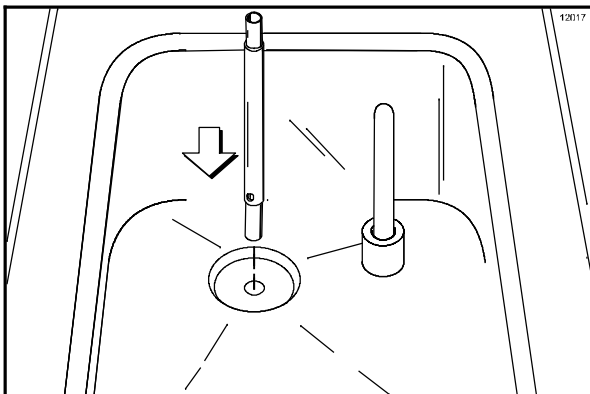


Figure 25

Step 3

Place the toggle switch in the AUTO position. When the unit cycles off, the product will be ready to serve.

Step 4

Place the mix hopper cover in position.

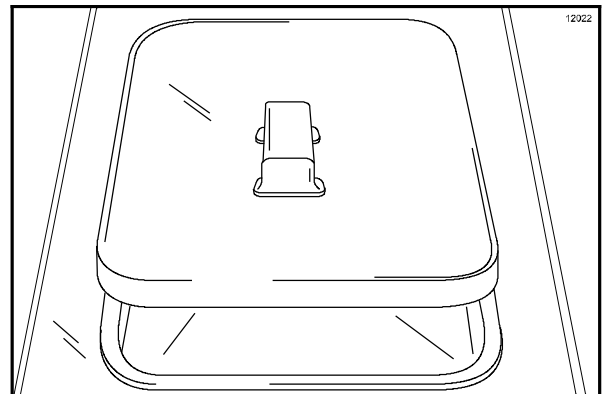


Figure 26

Step 5

Install the splash shield under the freezer door.

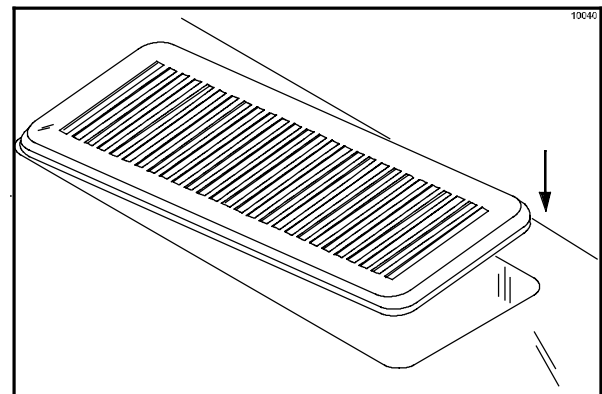


Figure 27

Step 6

Slide the rear drip pan into the hole in the front panel.

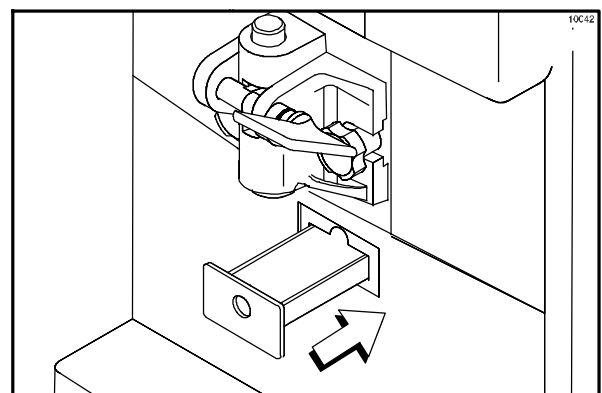


Figure 28

Standby

This unit is equipped with a STANDBY feature. If product is not dispensed for long periods of time (i.e.; early morning hours), the STANDBY feature will maintain the hopper and freezing cylinder product at safe temperatures and prevent product breakdown.

To use the Standby feature, perform the following steps:

Note: Be sure your hands are clean and sanitized before performing the following steps.

Step 1

Verify that the hopper is adequately filled with mix and invert the feed tube.

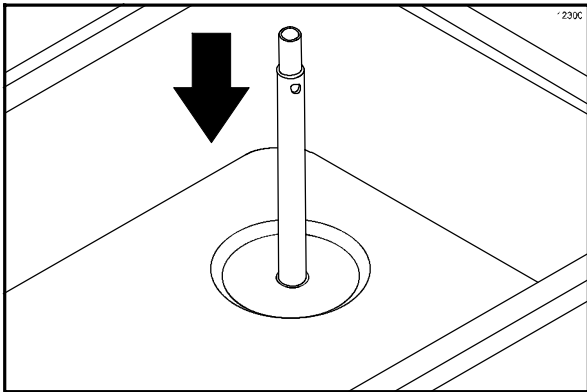


Figure 29

Step 2

Place the power switch in the AUTO position, and press the STANDBY button. The button will light, indicating that the unit is operating as a refrigerator for product in the hopper and freezing cylinder.

Step 3

To remove the unit from the STANDBY mode, place the power switch in the AUTO position, and press the standby button. The light will extinguish, indicating that the unit has resumed the normal operating mode.

Step 4

When the unit cycles off, remove the hopper cover, and place the feed tube in its original position.

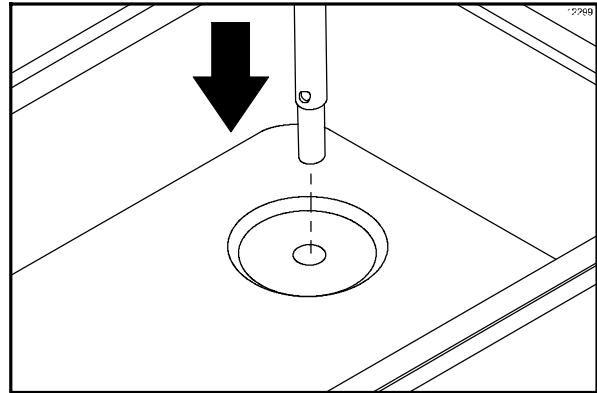


Figure 30

Step 5

Replace the hopper cover.



IMPORTANT: The STANDBY mode must *not* be used in lieu of daily disassembly, cleaning, and sanitizing.

Closing Procedure

To disassemble the freezer, the following items will be needed:

- Two cleaning pails
- Sanitized stainless steel rerun can with lid
- Necessary brushes (provided with freezer)
- Cleaner
- Single service towels

Draining Product From the Freezing Cylinder

Step 1

Place the toggle switch in the OFF position as far ahead of cleaning time as possible to allow frozen product to soften for easier cleaning.

Step 2

Lift the hopper cover, remove the feed tube and the mix level float. Take these parts to the sink for cleaning.

Step 3

If local health codes permit the use of rerun, place a sanitized, NSF approved stainless steel rerun container beneath the door spout. Place the toggle switch in the WASH position and open the draw valve. When all the product stops flowing from the door spout, close the draw valve. Place the toggle switch in the OFF position. Place a sanitized lid on the rerun container and place it in the walk-in cooler.

(**Note:** For additional information regarding the proper use of rerun, see item 5 on page 19.)

Note: If local health codes DO NOT permit the use of rerun, the product must be discarded. Follow the instructions in the previous step, except drain the product into a pail and properly discard the mix.



ALWAYS FOLLOW LOCAL HEALTH CODES.

Rinsing

Step 1

Pour one gallon (3.8 liters) of **cool**, clean water into the mix hopper. With the brushes provided, scrub the mix hopper, mix level float stem and mix inlet hole.

Step 2

With a pail beneath the door spout, place the toggle switch in the WASH position and open the draw valve. Drain all the rinse water from the freezing cylinder. When the rinse water stops flowing from the door spout, close the draw valve and place the toggle switch in the OFF position.

Repeat this procedure until the rinse water being drawn from the freezing cylinder is **clear**.

Cleaning

Step 1

Prepare a pail of an approved 100 PPM cleaning solution (examples: 2- 1/2 gal. [9.5 liters] of Kay-5® or 2 gal. [7.6 liters] of Stera-Sheen®). **USE WARM WATER AND FOLLOW THE MANUFACTURER'S SPECIFICATIONS.**

Step 2

Pour the cleaning solution into the mix hopper and allow it to flow into the freezing cylinder.

Step 3

While the solution is flowing into the freezing cylinder, brush clean the mix hopper, mix level float stem and mix inlet hole.

Step 4

Place the toggle switch in the WASH position. This will cause the cleaning solution in the freezing cylinder to be agitated.

Step 5

Place an empty pail beneath the door spout and open the draw valve. Draw off all the cleaning solution. When the solution stops flowing from the door spout, close the draw valve and place the toggle switch in the OFF position.

Disassembly

Step 1



MAKE SURE THE TOGGLE SWITCH IS IN THE "OFF" POSITION TO ELIMINATE THE CHANCE OF MOVING PARTS.

Step 2

Remove the handscrews and freezer door. Remove the beater assembly from the freezing cylinder and take these parts to the sink for cleaning.

Step 3

Remove the splash shield from the freezer and take to the sink for cleaning.

Step 4

Remove the rear drip pan from the front panel. Take it to the sink for cleaning.

Note: If the drip pan is filled with an excessive amount of mix, this is an indication that the drive shaft o-ring of the beater assembly should be replaced or lubricated properly.

Brush Cleaning

Step 1

Prepare a sink with an approved cleaning solution (examples: Kay-5® or Stera-Sheen®). USE WARM WATER AND FOLLOW THE MANUFACTURER'S SPECIFICATIONS. (**IMPORTANT:** Follow the label directions. A STRONG solution can cause parts damage. A MILD solution will not provide adequate cleaning.) Make sure all brushes provided with the freezer are available for brush cleaning.

Step 2

Remove the cup seal from the drive shaft of the beater assembly.

Step 3

From the freezer door, remove the design cap, draw valve handle, valve lifter arm, and draw valve. Remove all o-rings.

Note: To remove o-rings, use a towel to grasp the o-ring. Apply pressure in an upward direction until the o-ring pops out of its groove. With the other hand, push the top of the o-ring forward, and it will roll out of the groove and can be easily removed. If there is more than one o-ring to be removed, always remove the rear o-ring first. This will allow the o-ring to slide over the forward rings without falling into the open grooves.

Step 4

Remove the large o-ring, the front bearing, and the guide bearing from the back of the freezer door.

Step 5

Thoroughly brush clean all disassembled parts in the cleaning solution, making sure all lubricant and mix film is removed. Take particular care to brush clean the draw valve core in the freezer door. Place all the cleaned parts on a clean, dry surface to air dry overnight.

Step 6

Return to the freezer with a small amount of cleaning solution. With the black bristle brush, brush clean the rear shell bearing at the back of the freezing cylinder.

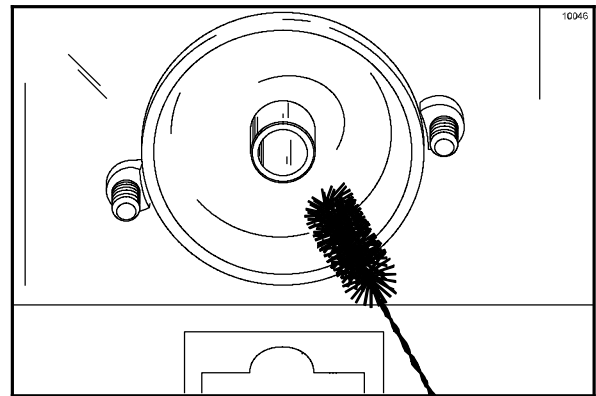


Figure 31

Step 7

Clean all exterior surfaces of the freezer.

Section 7 Important: Operator Checklist

During Cleaning and Sanitizing:

Cleaning and sanitizing schedules are governed by federal, state, or local regulatory agencies, and must be followed accordingly. If the unit has a “Standby mode”, it must not be used in lieu of proper cleaning and sanitizing procedures and frequencies set forth by the ruling health authority. The following check points should be stressed during the cleaning and sanitizing operations.



CLEANING AND SANITIZING MUST BE PERFORMED DAILY.



ALWAYS FOLLOW LOCAL HEALTH CODES.

Troubleshooting Bacterial Count:

- 1. Thoroughly clean and sanitize machine regularly, including complete disassembly and brush cleaning.
- 2. Use all brushes supplied for thorough cleaning. The brushes are specially designed to reach all mix passageways.
- 3. Use the smaller white bristle brush to clean the mix inlet hole which extends from the mix hopper down to the rear of the freezing cylinder.
- 4. Use the black bristle brush to thoroughly clean the rear shell bearing located at the rear of the freezing cylinder. Be sure to have a generous amount of cleaning solution on the brush.
- 5. IF LOCAL HEALTH CODES PERMIT THE USE OF RERUN, make sure the mix rerun is stored in a sanitized, covered stainless steel container and used the following day. DO NOT prime the machine with rerun. When using

rerun, skim off the foam and discard; then mix the rerun with fresh mix in a ratio of 50/50 during the day’s operation.

- 6. On a designated day of the week, run the mix as low as feasible and discard after closing. This will break the rerun cycle and reduce the possibility of high bacteria counts.
- 7. Properly prepare the cleaning and sanitizing solutions. Read and follow label directions carefully. Too strong of a solution may damage the parts and too weak of a solution will not do an adequate job of cleaning or sanitizing.
- 8. Temperature of mix in mix hopper and walk-in cooler should be below 40°F. (4.4°C.).

Regular Maintenance Checks:

- 1. Check the rear shell bearing for signs of wear (excessive mix leakage in rear drip pan). Verify that it has been cleaned properly.
- 2. Using a screwdriver and cloth towel, keep the rear shell bearing and the female hex drive socket clean and free of lubricant and mix deposits.
- 3. Dispose of o-rings and seals if they are worn, torn, or fit too loosely. Replace these o-rings with new ones.
- 4. Follow all lubricating procedures as outlined in “Assembly”.
- 5. Check the condenser for accumulation of dirt and lint. A dirty condenser will reduce the efficiency and capacity of the machine. Condensers should be cleaned **monthly** with a soft brush.
Note: For machines equipped with an air filter, it will be necessary to vacuum clean the filters on a monthly schedule.



Never use screwdrivers or other metal probes to clean between the fins.

Winter Storage

If the place of business is to be closed during the winter months, it is important to protect the freezer by following certain precautions, particularly if the building is subject to freezing conditions.

Disconnect the freezer from the main power source to prevent possible electrical damage.

Your local Taylor Distributor can perform this service for you.

Wrap detachable parts of the freezer such as beater, blades, drive shaft, and freezer door, and place in a protected dry place. Rubber trim parts and gaskets can be protected by wrapping with moisture-proof paper. All parts should be thoroughly cleaned of dried mix or lubrication accumulations which attract mice and other vermin.

Section 8

Troubleshooting Guide

PROBLEM	PROBABLE CAUSE	REMEDY	PAGE REF.
1. No product being dispensed.	a. Toggle switch in OFF position.	a. Place toggle switch in the AUTO position.	15
	b. Inadequate level of mix in mix hopper.	b. Fill mix hopper with mix.	15
	c. Beater motor overloaded.	c. Place the toggle switch in the OFF position. Allow the motor to cool. Reset beater motor. Place the toggle switch in the AUTO position.	8
	d. Unit unplugged at wall receptacle.	d. Plug in power cord.	- - -
	e. Tripped circuit breaker or blown fuse.	e. Place the circuit breaker in the ON position or replace fuse.	- - -
	f. Freezer door was assembled incorrectly.	f. See "Operating Procedures" for proper installation.	10
	g. Product is being drawn off far in excess of freezer's capacity.	g. Stop drawing product and allow unit to recover.	- - -
	h. Feed tube incorrectly installed.	h. Install feed tube according to instructions in this manual.	16
2. Machine will not operate in the AUTO position.	a. Unit unplugged.	a. Plug in power cord.	- - -
	b. Circuit breaker tripped or fuse blown.	b. Place the circuit breaker in the ON position or replace fuse.	- - -
	c. Beater motor overloaded, causing a loss of power to the toggle switch.	c. Place the toggle switch in the OFF position. Allow the motor to cool. Reset beater motor. Place toggle switch in the AUTO position.	8
3. Product is too stiff.	a. The temperature control is set too cold.	a. Call service technician.	- - -

PROBLEM	PROBABLE CAUSE	REMEDY	PAGE REF.
4. Product is too soft.	a. The temperature control is set too warm.	a. Call service technician.	- - -
	b. The feed tube is not installed.	b. Install the feed tube in mix inlet hole at bottom of the mix hopper. (The metering hole should be at the bottom of the tube.)	15/ 16
	c. Out-drawing the freezer's capacity.	c. Two 4 oz. (113.4 gram) servings in one minute.	- - -
5. The freezing cylinder walls are scored.	a. Operating freezer without front bearing on freezer door.	a. Install front bearing on freezer door.	11
	b. Rear bearing unit is out of alignment.	b. Contact service technician.	- - -
6. Excessive leakage in rear drip pan.	a. Worn or defective o-ring on beater drive shaft.	a. Replace every 3 months.	23
	b. Worn rear shell bearing.	b. Contact service technician.	- - -
	c. Incorrect lubricant.	c. Use food grade lubricant (example: Taylor Lube).	10
	d. Inadequate lubrication of beater drive shaft.	d. Lubricate properly.	10
7. Draw valve leaking.	a. Incorrect lubricant.	a. Use food grade lubricant (example: Taylor Lube).	11
	b. Worn or defective o-rings on draw valve.	b. Replace every 3 months.	23
	c. Inadequate lubrication of draw valve.	c. Lubricate properly.	11
8. Product not feeding into freezing cylinder.	a. Inadequate level of mix in mix hopper.	a. Fill mix hopper with mix.	15
	b. Mix inlet hole frozen up.	b. Call service technician.	- - -
	c. Feed tube incorrectly installed.	c. Place feed hole at the bottom.	15
9. Unit goes out on overload excessively.	a. Too many appliances plugged into the circuit.	a. A separate 15 amp. circuit is needed for the freezer to operate properly.	- - -
	b. Extension cord placed between power cord and wall receptacle.	b. If extension cord is used, it must match the power cord in size of wire ampacity.	- - -

Section 9

Parts Replacement Schedule

PART DESCRIPTION	EVERY 3 MONTHS	EVERY 6 MONTHS	ANNUALLY	QUANTITIES TO BE REPLACED
Beater Drive Shaft Cup Seal	X			1
Freezer Door O- Ring	X			1
Freezer Door Front Bearing	X			1
Freezer Door Guide Bearing	X			1
Draw Valve O- Ring	X			2
Draw Valve Handle O- Ring	X			1
Black Bristle Brush, 1" x 2"		Inspect & Replace if Necessary	Minimum	1
Double Ended Brush		Inspect & Replace if Necessary	Minimum	1
White Bristle Brush, 3" x 7"		Inspect & Replace if Necessary	Minimum	1

Section 10 Limited Warranty on Equipment

TAYLOR COMPANY LIMITED WARRANTY ON FREEZERS

Taylor Company, a division of Carrier Commercial Refrigeration, Inc. (“Taylor”) is pleased to provide this limited warranty on new Taylor-branded freezer equipment available from Taylor to the market generally (the “Product”) to the original purchaser only.

LIMITED WARRANTY

Taylor warrants the Product against failure due to defect in materials or workmanship under normal use and service as follows. All warranty periods begin on the date of original Product installation. If a part fails due to defect during the applicable warranty period, Taylor, through an authorized Taylor distributor or service agency, will provide a new or re-manufactured part, at Taylor’s option, to replace the failed defective part at no charge for the part. Except as otherwise stated herein, these are Taylor’s exclusive obligations under this limited warranty for a Product failure. This limited warranty is subject to all provisions, conditions, limitations and exclusions listed below and on the reverse (if any) of this document.

Product	Part	Limited Warranty Period
Soft Serve	Insulated shell assembly	Five (5) years
Frozen Yogurt Shakes	Refrigeration compressor (except service valve)	Five (5) years
Smoothies	Beater motors	Two (2) years
Frozen Beverage	Beater drive gear	Two (2) years
Batch Desserts	Printed circuit boards and Softech controls beginning with serial number H8024200	Two (2) years
	Parts not otherwise listed in this table or excluded below	One (1) year

LIMITED WARRANTY CONDITIONS

1. If the date of original installation of the Product cannot be verified, then the limited warranty period begins ninety (90) days from the date of Product manufacture (as indicated by the Product serial number). Proof of purchase may be required at time of service.
2. This limited warranty is valid only if the Product is installed and all required service work on the Product is performed by an authorized Taylor distributor or service agency, and only if genuine, new Taylor parts are used.
3. Installation, use, care, and maintenance must be normal and in accordance with all instructions contained in the Taylor Operator’s Manual.
4. Defective parts must be returned to the authorized Taylor distributor or service agency for credit.
5. The use of any refrigerant other than that specified on the Product’s data label will void this limited warranty.

LIMITED WARRANTY EXCEPTIONS

This limited warranty does **not** cover:

1. Labor or other costs incurred for diagnosing, repairing, removing, installing, shipping, servicing or handling of defective parts, replacement parts, or new Products.
2. Normal maintenance, cleaning and lubrication as outlined in the Taylor Operator’s Manual, including cleaning of condensers.

3. Replacement of wear items designated as Class "000" parts in the Taylor Operator's Manual.
4. External hoses, electrical power supplies, and machine grounding.
5. Parts not supplied or designated by Taylor, or damages resulting from their use.
6. Return trips or waiting time required because a service technician is prevented from beginning warranty service work promptly upon arrival.
7. Failure, damage or repairs due to faulty installation, misapplication, abuse, no or improper servicing, unauthorized alteration or improper operation or use as indicated in the Taylor Operator's Manual, including but not limited to the failure to use proper assembly and cleaning techniques, tools, or approved cleaning supplies.
8. Failure, damage or repairs due to theft, vandalism, wind, rain, flood, high water, water, lightning, earthquake or any other natural disaster, fire, corrosive environments, insect or rodent infestation, or other casualty, accident or condition beyond the reasonable control of Taylor; operation above or below the electrical or water supply specification of the Product; or components repaired or altered in any way so as, in the judgment of the Manufacturer, to adversely affect performance, or normal wear or deterioration.
9. Any Product purchased over the Internet.
10. Failure to start due to voltage conditions, blown fuses, open circuit breakers, or damages due to the inadequacy or interruption of electrical service.
11. Electricity or fuel costs, or increases in electricity or fuel costs from any reason whatsoever.
12. Damages resulting from the use of any refrigerant other than that specified on the Product's data label will void this limited warranty.
13. Any cost to replace, refill or dispose of refrigerant, including the cost of refrigerant.
14. **ANY SPECIAL, INDIRECT OR CONSEQUENTIAL PROPERTY OR COMMERCIAL DAMAGE OF ANY NATURE WHATSOEVER.** Some jurisdictions do not allow the exclusion of incidental or consequential damages, so this limitation may not apply to you.

This limited warranty gives you specific legal rights, and you may also have other rights which vary from jurisdiction to jurisdiction.

LIMITATION OF WARRANTY

THIS LIMITED WARRANTY IS EXCLUSIVE AND IS IN LIEU OF ALL OTHER WARRANTIES, CONDITIONS AND/OR REMEDIES UNDER THE LAW, INCLUDING ANY IMPLIED WARRANTIES OR CONDITIONS OF MERCHANTABILITY OR FITNESS FOR A PARTICULAR PURPOSE. THE ORIGINAL OWNER'S SOLE REMEDY WITH RESPECT TO ANY PRODUCTS SHALL BE REPAIR OR REPLACEMENT OF DEFECTIVE COMPONENTS UNDER THE TERMS OF THIS LIMITED WARRANTY. ALL RIGHTS TO CONSEQUENTIAL OR INCIDENTAL DAMAGES (INCLUDING CLAIMS FOR LOST SALES, LOST PROFITS, PRODUCT LOSS, PROPERTY DAMAGES OR SERVICE EXPENSES) ARE EXPRESSLY EXCLUDED. THE EXPRESS WARRANTIES MADE IN THIS LIMITED WARRANTY MAY NOT BE ALTERED, ENLARGED, OR CHANGED BY ANY DISTRIBUTOR, DEALER, OR OTHER PERSON, WHATSOEVER.

LEGAL REMEDIES

The owner **must** notify Taylor in writing, by certified or registered letter to the following address, of any defect or complaint with the Product, stating the defect or complaint and a specific request for repair, replacement, or other correction of the Product under warranty, mailed at least thirty (30) days before pursuing any legal rights or remedies.

Taylor Company
a division of Carrier Commercial Refrigeration, Inc.
750 N. Blackhawk Blvd.
Rockton, IL 61072, U.S.A.

Section 11

Limited Warranty on Parts

TAYLOR COMPANY LIMITED WARRANTY ON TAYLOR GENUINE PARTS

Taylor Company, a division of Carrier Commercial Refrigeration, Inc. ("Taylor") is pleased to provide this limited warranty on new Taylor genuine replacement components and parts available from Taylor to the market generally (the "Parts") to the original purchaser only.

LIMITED WARRANTY

Taylor warrants the Parts against failure due to defect in materials or workmanship under normal use and service as follows. All warranty periods begin on the date of original installation of the Part in the Taylor unit. If a Part fails due to defect during the applicable warranty period, Taylor, through an authorized Taylor distributor or service agency, will provide a new or re-manufactured Part, at Taylor's option, to replace the failed defective Part at no charge for the Part. Except as otherwise stated herein, these are Taylor's exclusive obligations under this limited warranty for a Part failure. This limited warranty is subject to all provisions, conditions, limitations and exclusions listed below and on the reverse (if any) of this document.

Part's Warranty Class Code or Part	Limited Warranty Period
Class 103 Parts ¹	Three (3) months
Class 212 Parts ²	Twelve (12) months
Class 512 Parts	Twelve (12) months
Class 000 Parts	No warranty
Taylor Part #072454 (Motor- 24VDC *C832/C842*)	Four (4) years

LIMITED WARRANTY CONDITIONS

1. If the date of original installation of the Part cannot be otherwise verified, proof of purchase may be required at time of service.
2. This limited warranty is valid only if the Part is installed and all required service work in connection with the Part is performed by an authorized Taylor distributor or service agency.
3. The limited warranty applies only to Parts remaining in use by their original owner at their original installation location in the unit of original installation.
4. Installation, use, care, and maintenance must be normal and in accordance with all instructions contained in the Taylor Operator's Manual.
5. Defective Parts must be returned to the authorized Taylor distributor or service agency for credit.
6. This warranty is not intended to shorten the length of any warranty coverage provided pursuant to a separate Taylor Limited Warranty on freezer or grill equipment.
7. The use of any refrigerant other than that specified for the unit in which the Part is installed will void this limited warranty.

^{1, 2} Except that Taylor Part #032129SER2 (Compressor-Air-230V SERV) and Taylor Part #075506SER1 (Compressor-Air-115V 60HZ) shall have a limited warranty period of twelve (12) months when used in Taylor freezer equipment and a limited warranty period of two (2) years when used in Taylor grill equipment.

LIMITED WARRANTY EXCEPTIONS

This limited warranty does **not** cover:

1. Labor or other costs incurred for diagnosing, repairing, removing, installing, shipping, servicing or handling of defective Parts, replacement Parts, or new Parts.
2. Normal maintenance, cleaning and lubrication as outlined in the Taylor Operator's Manual, including cleaning of condensers or carbon and grease buildup.
3. Required service, whether cleaning or general repairs, to return the cooking surface assemblies, including the upper platen and lower plate, to an operational condition to achieve proper cooking or allow proper assembly of release sheets and clips as a result of grease build-up on the cooking surfaces, including but not limited to the platen and plate, sides of the shroud or top of the shroud.
4. Replacement of cooking surfaces, including the upper platen and lower plate, due to pitting or corrosion (or in the case of the upper platen, due to loss of plating) as a result of damage due to the impact of spatulas or other small wares used during the cooking process or as a result of the use of cleaners, cleaning materials or cleaning processes not approved for use by Taylor.
5. Replacement of wear items designated as Class "000" Parts in the Taylor Operator's Manual, as well as any release sheets and clips for the Product's upper platen assembly.
6. External hoses, electrical power supplies, and machine grounding.
7. Parts not supplied or designated by Taylor, or damages resulting from their use.
8. Return trips or waiting time required because a service technician is prevented from beginning warranty service work promptly upon arrival.
9. Failure, damage or repairs due to faulty installation, misapplication, abuse, no or improper servicing, unauthorized alteration or improper operation or use as indicated in the Taylor Operator's Manual, including but not limited to the failure to use proper assembly and cleaning techniques, tools, or approved cleaning supplies.
10. Failure, damage or repairs due to theft, vandalism, wind, rain, flood, high water, water, lightning, earthquake or any other natural disaster, fire, corrosive environments, insect or rodent infestation, or other casualty, accident or condition beyond the reasonable control of Taylor; operation above or below the gas, electrical or water supply specification of the unit in which a part is installed; or Parts or the units in which they are installed repaired or altered in any way so as, in the judgment of Taylor, to adversely affect performance, or normal wear or deterioration.
11. Any Part purchased over the Internet.
12. Failure to start due to voltage conditions, blown fuses, open circuit breakers, or damages due to the inadequacy or interruption of electrical service.
13. Electricity, gas or other fuel costs, or increases in electricity or fuel costs from any reason whatsoever.
14. Damages resulting from the use of any refrigerant other than that specified for the unit in which the Part is installed will void this limited warranty.
15. Any cost to replace, refill or dispose of refrigerant, including the cost of refrigerant.
16. **ANY SPECIAL, INDIRECT OR CONSEQUENTIAL PROPERTY OR COMMERCIAL DAMAGE OF ANY NATURE WHATSOEVER.** Some jurisdictions do not allow the exclusion of incidental or consequential damages, so this limitation may not apply to you.

This limited warranty gives you specific legal rights, and you may also have other rights which vary from jurisdiction to jurisdiction.

LIMITATION OF WARRANTY

THIS LIMITED WARRANTY IS EXCLUSIVE AND IS IN LIEU OF ALL OTHER WARRANTIES, CONDITIONS AND/OR REMEDIES UNDER THE LAW, INCLUDING ANY IMPLIED WARRANTIES OR CONDITIONS OF MERCHANTABILITY OR FITNESS FOR A PARTICULAR PURPOSE. THE ORIGINAL OWNER'S SOLE REMEDY WITH RESPECT TO ANY PRODUCTS SHALL BE REPAIR OR REPLACEMENT OF DEFECTIVE PARTS UNDER THE TERMS OF THIS LIMITED WARRANTY. ALL RIGHTS TO CONSEQUENTIAL OR INCIDENTAL DAMAGES (INCLUDING CLAIMS FOR LOST SALES, LOST PROFITS, PRODUCT LOSS, PROPERTY DAMAGES OR SERVICE EXPENSES) ARE EXPRESSLY EXCLUDED. THE EXPRESS WARRANTIES MADE IN THIS LIMITED WARRANTY MAY NOT BE ALTERED, ENLARGED, OR CHANGED BY ANY DISTRIBUTOR, DEALER, OR OTHER PERSON, WHATSOEVER.

LEGAL REMEDIES

The owner **must** notify Taylor in writing, by certified or registered letter to the following address, of any defect or complaint with the Part, stating the defect or complaint and a specific request for repair, replacement, or other correction of the Part under warranty, mailed at least thirty (30) days before pursuing any legal rights or remedies.

Taylor Company
a division of Carrier Commercial Refrigeration, Inc.
750 N. Blackhawk Blvd.
Rockton, IL 61072, U.S.A.

Section 12

Parts List

014212H000 - 115V 60HZ 1PH - 014227H000 - 208-230V 60HZ 1PH - A/C-TECUMSEH-(R404A)

DESCRIPTION	PART NUMBER	142 QTY.	WARR. CLASS	REMARKS
BEARING-FRONT	023262	4	000	
BEARING-GUIDE	014496	4	000	
BEARING-REAR SHELL	023648	1	000	
+COLLAR-REAR BEARING	025564	1	000	
+NUT-REAR BEARING	023647	1	000	
+TAB-BEARING LOCK	025027	1	000	
BEARING-UNIT REAR	024764	1	103	
BEATER A.	X24689	1	103	
+SEAL-U-CUP	080534		000	S/N M2085459 & UP REPLACES 021278
BELT-HTD PITCH LENGTH 565MM	041585	1	000	COGGED - IDLER PULLEY TO BEARING UNIT
BELT-V-4L370	004227	1	000	LARGE PULLEY TO BEATER MOTOR
BLOCK-TERMINAL 5 POLE	024329	1	0103	
BRUSH-DOUBLE ENDED-PUMP&FEED TUBE	013072	4	000	
BRUSH-MIX PUMP BODY-3"X7"WHITE	023316	4	000	
BRUSH-REAR BRG 1IN.DX2IN.LGX14	013071	4	000	
BUSHING-SNAP 11/16 ID X 7/8OD	010548	1	000	S/N K9087267 & PRIOR
CAP-DESIGN-1.010"ID-6 POINT	014218	1	000	
COMPRESSOR AKA9462ZXA-AK1	049302-12	1	512	115V 60HZ 1PH
+CAPACITOR-RUN 25UF/370VAC	023739	1	103	115V 60HZ 1PH
+CAPACITOR-START 72-88UF/2	039557-27	1	103	115V 60HZ 1PH
+RELAY-START-COMPRESSOR	045432-12	1	103	115V 60HZ 1PH
+GROMMET-COMPRESSOR MOUNT-AE-	039919	4	000	
+SLEEVE-MOUNTING-COMP-AE	039920	4	000	
COMPRESSOR AKA9462ZXD-AK1	049302-27	1	512	208-230V 60HZ 1PH - J6012926 & UP
+CAPACITOR-RUN 15UF/370V	027087	1	103	208-230V 60HZ 1PH
+CAPACITOR-START 72-88UF/3	039567	1	103	208-230V 60HZ 1PH
+RELAY-START-COMPRESSOR	048150	1	103	208-230V 60HZ 1PH
+GROMMET-COMPRESSOR MOUNT-AE-	039919	4	000	
+SLEEVE-MOUNTING-COMP-AE	039920	4	000	
CONDENSER-AC-12LX16HX2.5T3ROW	048935	1	103	
CORD-POWER	085093	1	103	115V 60HZ 1PH

+ Available Separately

DESCRIPTION	PART NUMBER	142 QTY.	WARR. CLASS	REMARKS
CORD-POWER-250V-15A-95"L	042936-27	1	103	208-230V 60HZ 1PH
COVER A.-HOPPER	X49633	1	103	
DECAL-CLEAN INST.-HOPPER	019029	1	000	
DECAL-MAG-FLAVOR PADS	039713	1	000	
DECAL-MAG-FROZEN YOGURT	039717	1	000	
DECAL-MAG-SOFT SERVE	039714	1	000	
DECAL-TROUBLESHOOTING	038374	1	000	
DIAGRAM-WIRING *142*	049264	1	000	115V 60HZ 1PH / 208-230V 60HZ 1PH
DOOR-1 SPOUT-4" LONG	X38959-SER	1	103	
+O-RING-2-3/4 OD X .139W	019998	1	000	
+ARM-VALVE LIFTER	024761	1	103	
+HANDLE-DRAW	024762	1	103	
+O-RING-3/4 OD X .103W	015835	1	000	
+VALVE-DRAW	024763	1	103	
+O-RING-7/8 OD X .103W	014402	2	000	
DRYER-FILTER 1/4 X 1/4 SOLDER	048878	2	000	
DVD-OPS TRAIN VIDEO*TAYLOR	037665-DVD	1	000	
EYELET-RESET BUTTON	013739	1	000	K9087268 & UP REPLACES 010548 BUSHING
FLOAT A.-MIX LEVEL	X39690	1	103	
GUIDE A.-DRIP PAN	X43491	1	103	
HARNES-WIRE-UPPER-HI VOLT	043581	1	103	INCLUDES 039534 TOGGLE SWITCH
HARNES-WIRE-142-LOWER-STANDBY	049005	1	103	
KIT A.-TUNE UP	X25802	4	000	
BEARING-FRONT	023262	4	000	
BEARING-GUIDE	014496	4	000	
CAP-DESIGN-1.010"ID-6 POINT	014218	4	000	
O-RING-2-3/4 OD X .139W	019998	4	000	
O-RING-3/4 OD X .103W	015835	4	000	
O-RING-7/8 OD X .103W	014402	8	000	
SEAL-U-CUP	080534	1	000	S/N M2085459 & UP REPLACES 021278
TOOL- 0-RING REMOVAL	048260-WHT	4	000	
LABEL-CAUTION-GRD-CIR BRK	039992	1	000	
LABEL-DOOR-MOVE PART	032749	1	000	

+ Available Separately

DESCRIPTION	PART NUMBER	142 QTY.	WARR. CLASS	REMARKS
LABEL-SW-WASH/OFF/AUTO-SYMBOL	014502	1	000	
LABEL-WARN-CONDENSER-SHARP	059287	1	000	
LABEL-WARN-COVER	051433	4	000	
LEG-4"-3/8-16 STUD-PLASTIC	024755	4	103	
LIGHT-MIX LOW-AMBER ROUND-24V	039708	1	103	MIX LOW
LUBRICANT-TAYLOR 4 OZ.	047518	1	000	
MAN-OPER 142	039709-M	1	000	
MOTOR-1/2HP 60HZ 115V 172	039563-12	1	212	115V 60HZ 1PH
MOTOR-1/2HP 60HZ 230V 172	039563-27	1	212	208-230V 60HZ 1PH
MOTOR-FAN 50 WATT W/GROUND	029770-12	1	103	115V 60HZ 1PH
+FAN-5 BLADE 12" PUSH 22DEG CCW	049009	1	103	
MOTOR-FAN 50 WATT W/GROUNDWI	029770-27	1	103	208-230V 60HZ 1PH
+FAN-5 BLADE 12" PUSH 22DEG CCW	049009	1	103	
NUT-STUD	034829	2	103	HANDSCREW
PAN A.-WHITE FRONT DRIP	X43474	1	103	J0125321/UP (REPLACES 039635)
PANEL-FRONT-PLASTIC	042933	1	103	
PANEL-REAR *142*STANDBY	049001	1	103	
PANEL-SIDE *142* RIGHT	048879	1	103	
PANEL-SIDE *142*LEFT	048999	1	103	
PCB A.-STANDBY CONTROL-HOPPER	X44803SER1	1	212	115V 60HZ 1PH
PCB A.-STANDBY CONTROL-HOPPER	X44803SER2	1	212	208-230V 60HZ 1PH
PLATE A.-MOUNTING DECAL	X39629	1	103	DEC PLATE
PROBE-THERMISTOR-BARREL-2% TOL	038061-BLK	2	103	M0114154 - REPLACED 039470-BLK
PULLEY-10"OD W/TIMING GEAR*142	046194	1	103	INCLUDES IDLER PULLEY AND BOLT
+BOLT-IDLER-1/2 X 20	039620	1	103	AVAILABLE FOR SERVICE
+NUT-SHAFT JACK	039616	1	103	
+WASHER-PULLEY IDLER	039615	1	103	
PULLEY-AK17X 5/8	031076	1	103	BEATER MOTOR
PULLEY-HTD 72 TOOTH 5MM PITCH	041095	1	103	BEARING UNIT 115 / 208-230 / 240 50HZ
RELAY-3 POLE-25 AMP	067460-12	1	103	115V 60HZ 1PH
RELAY-3 POLE-25 AMP	067460-27	1	103	208-230V 60HZ 1PH
SANITIZER-STERA SHEEN-GREEN	055492	1	000	
SENSOR A.-MIX LEVEL	X39688	1	103	

+ Available Separately

DESCRIPTION	PART NUMBER	142 QTY.	WARR. CLASS	REMARKS
SHELL A.-INSULATED *142*HOOD	X49175-SER	1	512	
STUD-NOSE CONE *142*	042168	2	103	
SHIELD-SPLASH-PLASTIC	039444	1	103	
SHROUD-FAN *142*	048877	1	103	
SWITCH A.-DRAW *142*	X43577-SER	1	103	
ACTUATOR-SWITCH-PLASTIC	035609	1	103	
BEARING-SWITCH	029244	2	000	
BRACKET-DRAW SWITCH	041063	1	103	
E-RING-1/4 IN-ZD	034962	1	000	
NUT-PUSH ON-1/2DIA. SHAFT	039735	2	000	
ROD-SWITCH-SQUARE *142*	039617	1	103	
SCREW-4-40X5/8 SLTD ROUND	027219	2	000	
SPRING-COMP.720X.063X2.00	023664	1	103	
SWITCH-ACTUATOR	035609	1	103	
SWITCH-LEVER-SPDT-15A-125-250V	027214	1	103	
SWITCH-PRESSURE 440 PSI-SOLDER	048230	1	103	
SWITCH-STAND BY SPST-LIGHTED	043279	1	103	
+BULB-LIGHT 14V 142	043279-1	1	000	
SWITCH-TOGGLE	039534	1	103	POWER SWITCH (043581 HARNESS-WIRE)
TIMER-DELAY ON MAKE 2 SEC	030667-12	1	103	115V 60HZ 1PH
TUBE-CAPILLARY .049 X 7FT	049172	1	103	
TUBE-FEED-150-DANFOSS-.166HOLE	035819	1	103	
VALVE-ACCESS 1/4FL X 1/4SOLDER	044404	1	103	SUCTION LINE
VALVE-ACCESS 1/4FL X 3/8SDR-90	044455	1	103	MAIN COMPRESSOR
VALVE-ACCESS-1/4 MFLX1/4 S-90	047016	1	103	COMPRESSOR HIGH SIDE
VALVE-EPR 1/4S	022665	1	103	SUCTION LINE
VALVE-EXP-THERMO-1/4S X 1/4FPT	051578	1	103	REPLACES 018217-1
+BOOT-EXPANSION VALVE	027137	1	000	
VALVE-SOLENOID 1/2ORF X 1/2ODF	043681-12	1	103	115V 60HZ 1PH - SUCTION LINE
VALVE-SOLENOID 1/2ORF X 1/2ODF	043681-27	1	103	208-230V 60HZ 1PH
VALVE-SOLENOID 7/64ORF X 1/4S	043449-12	2	103	115V 60HZ 1PH - LIQUID LINE
VALVE-SOLENOID 7/64ORF X 1/4S	043449-27	2	102	208-230V 60HZ 1PH

+ Available Separately

DESCRIPTION	PART NUMBER	142 QTY.	WARR. CLASS	REMARKS
014212H879 - CANADA - 115V 60HZ 1PH - A/C-TECUMSEH-(R404A)				
MAN-OPER-COND 142 ROMANCE	039709RM	1	000	
CARD-CHECKOUT FREEZER FRENCH	033941-F	1	000	
LABEL-ATTN SVC ENG-FRENCH	015068-FG	1	000	
LABEL-CAUTION-GRD-FRENCH	032164-FG	1	000	
LABEL-DOOR-MOVE PART-FRENCH	032749-FG	1	000	
LABEL-WARN-COVER-FRENCH	051433-F	3	000	
014240HW00 - 220-240V 50HZ 1PH - A/C-TECUMSEH-(R404A) - ROHS COMPLIANT				
BELT-V-4L380	007098	1	000	
COMPRESSOR - TECUMSEH	049302-40	1	512	
+CAPACITOR-RUN	027087	1	212	
+CAPACITOR-START	039567	1	212	
+RELAY-START-COMPRESSOR	041064	2	212	
CONTROL-STANDBY-HOPPER-ROHS	X65831-SER	1	212	
CORD A.-POWER *142*	X66720-40	1	103	
DIAGRAM-WIRING *142*	049264-40	1	000	
MOTOR-BEATER	039563-34	1	212	
MOTOR-FAN 50 WATT W/GROUND	029770-27	1	103	
+FAN-5 BLADE 12" PUSH 22DEG CCW	049009	1	103	
PANEL-SIDE *142* LEFT 50HZ	049003	1	103	
PULLEY-AK20X5/8	041162	1	103	
RELAY-3 POLE-25 AMP	067460-27	1	103	
VALVE-SOLENOID 1/2ORF X 1/2ODF	043681-27	1	103	
VALVE-SOLENOID 7/64ORF X 1/4S	043449-27	2	102	

+ Available Separately

DESCRIPTION	PART NUMBER	142 QTY.	WARR. CLASS	REMARKS
014240HW65 - 220-240V 50HZ 1PH - A/C-TECUMSEH-(R404A) - ROHS COMPLIANT FRANCE				
BELT-V-4L380	007098	1	000	
CARD-CHECKOUT FREEZER FRENCH	033941-F	1	000	
COMPRESSOR - TECUMSEH	049302-40	1	512	
+CAPACITOR-RUN	027087	1	212	
+CAPACITOR-START	039567	1	212	
+RELAY-START-COMPRESSOR	041064	2	212	
CONTROL-STANDBY-HOPPER-ROHS	X65831-SER	1	212	
CORD A.-POWER *142*	X66720-40	1	103	
DECAL-INST-CLN HPR-FRENCH	019029-F	1	000	
DECAL-TROUBLESHOOT-FRENCH	038374-F	1	000	
DIAGRAM-WIRING *142*	049264-40	1	000	
LABEL-ATTN SVC ENG-FRENCH	015068-FG	1	000	
LABEL-CAUTION-GRD-CORD	032165		000	
LABEL-DOOR-MOVE PART-FREN	032749-FG	1	000	
LABEL-WARN-COVER-FRENCH	051433-F	4	000	
MAN-OPER-COND 142 ROMANCE	039709RM	1	000	
MOTOR-BEATER	039563-34	1	212	
MOTOR-FAN 50 WATT W/GROUND	029770-27	1	103	
+FAN-5 BLADE 12" PUSH 22DEG CCW	049009	1	103	
PANEL-SIDE *142* LEFT 50HZ	049003	1	103	
PULLEY-AK20X5/8	041162	1	103	
RELAY-3 POLE-25 AMP	067460-27	1	103	
VALVE-SOLENOID 1/2ORF X 1/2ODF	043681-27	1	103	
VALVE-SOLENOID 7/64ORF X 1/4S	043449-27	2	102	

+ Available Separately

DESCRIPTION	PART NUMBER	142 QTY.	WARR. CLASS	REMARKS
014240HW70 - 220-240V 50HZ 1PH - A/C-TECUMSEH-(R404A) - ROHS COMPLIANT *GERMANY*				
BELT-V-4L380	007098	1	000	
CARD-CHECKOUT FREEZER GERMAN	033941-G	1	000	
COMPRESSOR - TECUMSEH	049302-40	1	512	
+CAPACITOR-RUN	027087	1	212	
+CAPACITOR-START	039567	1	212	
+RELAY-START-COMPRESSOR	041064	2	212	
CONTROL-STANDBY-HOPPER-ROHS	X65831-SER	1	212	
CORD A.-POWER *142*	X66720-40	1	103	
DECAL-INST-CLN HPR-GERMAN	019029-G	1	000	
DECAL-TROUBLESHOOT-GERMAN	038374-G	1	000	
DIAGRAM-WIRING *142*	049264-40	1	000	
LABEL-ATTN SVC ENG-FRENCH	015068-FG	1	000	
LABEL-DOOR-MOVE PART-FRENCH	032749-FG	1	000	
LABEL-WARN-COVER-GERMAN	051433-G	4	000	
MAN-OPER-COND 142 ROMANCE	039709RM	1	000	
MOTOR-BEATER	039563-34	1	212	
MOTOR-FAN 50 WATT W/GROUND	029770-27	1	103	
+FAN-5 BLADE 12" PUSH 22DEG CCW	049009	1	103	
PANEL-SIDE *142* LEFT 50HZ	049003	1	103	
PULLEY-AK20X5/8	041162	1	103	
RELAY-3 POLE-25 AMP	067460-27	1	103	
VALVE-SOLENOID 1/2ORF X 1/2ODF	043681-27	1	103	
VALVE-SOLENOID 7/64ORF X 1/4S	043449-27	2	102	

+ Available Separately

DESCRIPTION	PART NUMBER	142 QTY.	WARR. CLASS	REMARKS
014240HW50 - 220-240V 50HZ 1PH - A/C-TECUMSEH-(R404A) - ROHS COMPLIANT *NEW ZEALAND*				
BELT-V-4L380	007098	1	000	
COMPRESSOR - TECUMSEH	049302-40	1	512	
+CAPACITOR-RUN	027087	1	212	
+CAPACITOR-START	039567	1	212	
+RELAY-START-COMPRESSOR	041064	2	212	
CONTROL-STANDBY-HOPPER-ROHS	X65831-SER	1	212	
CORD A.-POWER *142*	X66720-40	1	103	
DECAL-NEW ZEALAND-WIRE	041467	1	000	
DIAGRAM-WIRING *142*	049264-40	1	000	
MAN-OPER-COND 142 ROMANCE	039709RM	1	000	
MOTOR-BEATER	039563-34	1	212	
MOTOR-FAN 50 WATT W/GROUND	029770-27	1	103	
+FAN-5 BLADE 12" PUSH 22DEG CCW	049009	1	103	
PANEL-SIDE *142* LEFT 50HZ	049003	1	103	
PULLEY-AK20X5/8	041162	1	103	
RELAY-3 POLE-25 AMP	067460-27	1	103	
VALVE-SOLENOID 1/2ORF X 1/2ODF	043681-27	1	103	
VALVE-SOLENOID 7/64ORF X 1/4S	043449-27	2	102	

+ Available Separately

(SEE FIG. 1)

(SEE FIG. 1)
L2 OR N 208/230V 60HZ

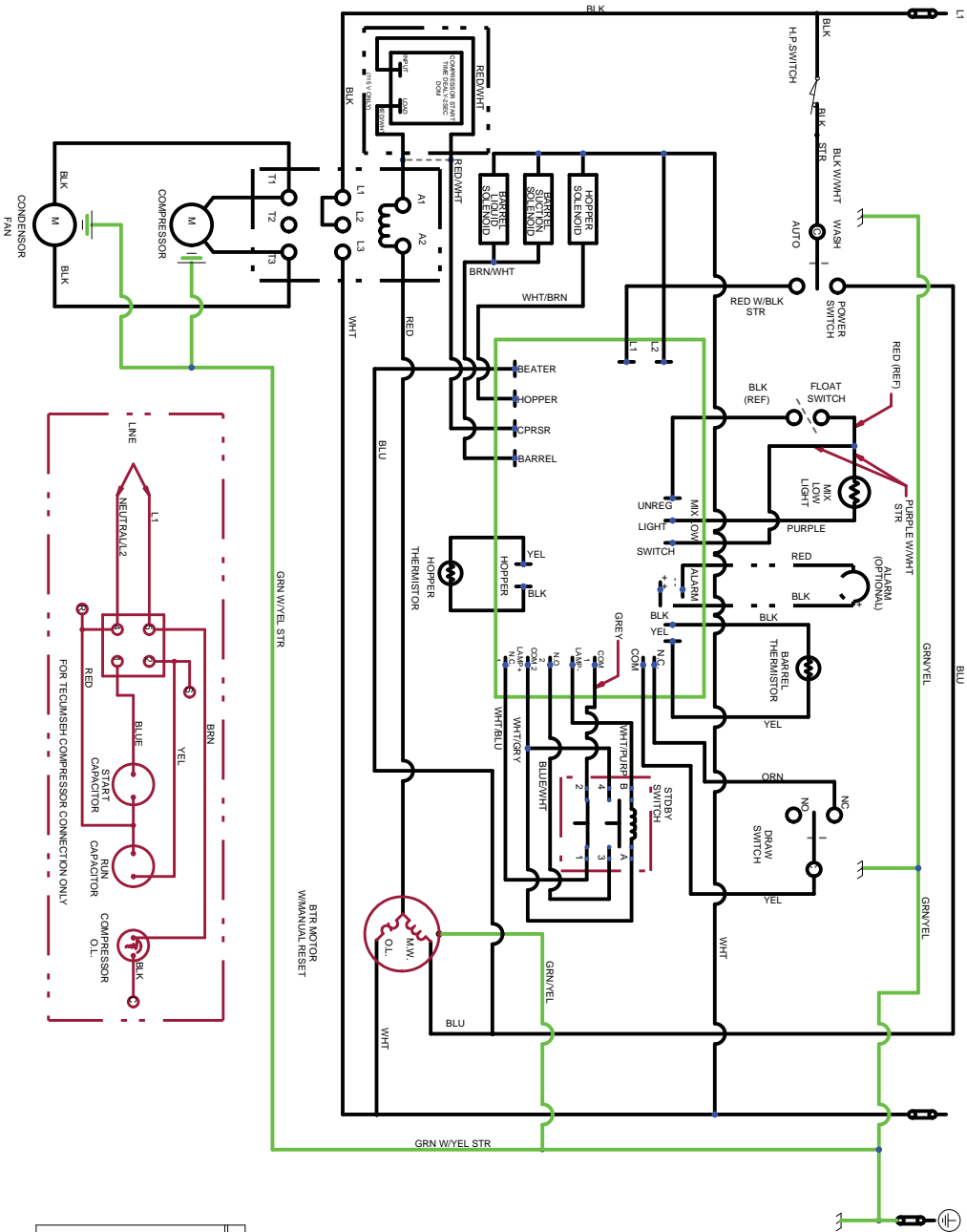


FIG. 1: WIRE COLORS - BASED ON INCOMING POWER

115 VOLTS, 60HZ	208/230 VOLTS, 60HZ (COMMON)	208/230 VOLTS, 60HZ (INTERNATIONAL EQUIPMENTAL GROUND)
L1 N 	L1 L2 	L1 L2 OR N

NOTE: 1) THE EQUIPOTENTIAL GROUND IS ONLY REQUIRED FOR INTERNATIONAL UNITS.

GROUND FRAME SECURELY